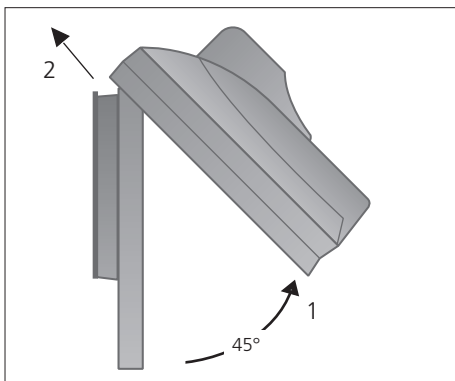
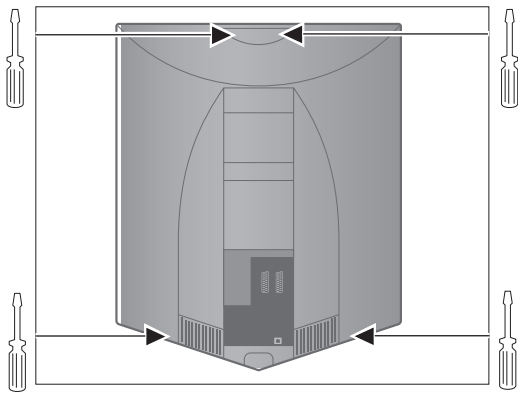
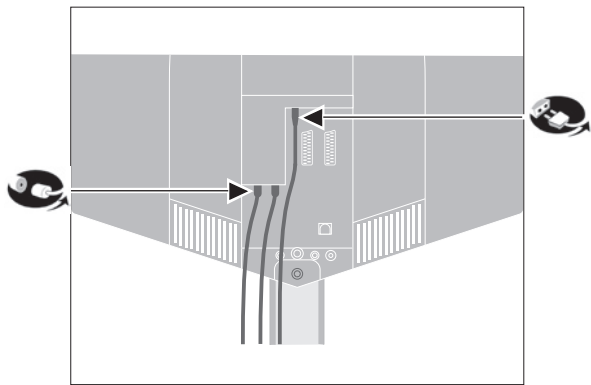
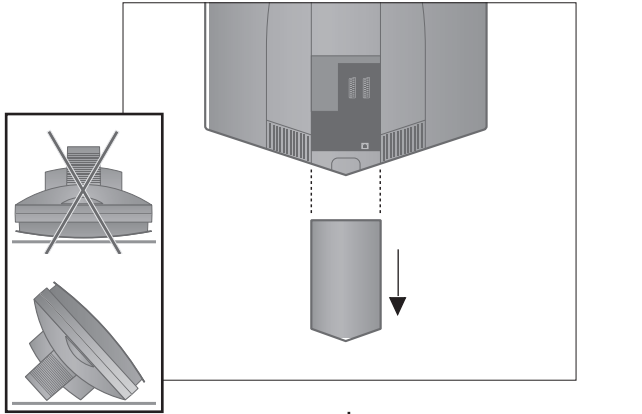


Mounting instruction for Masterlink module

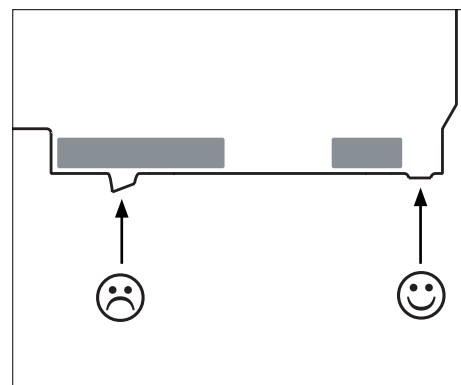
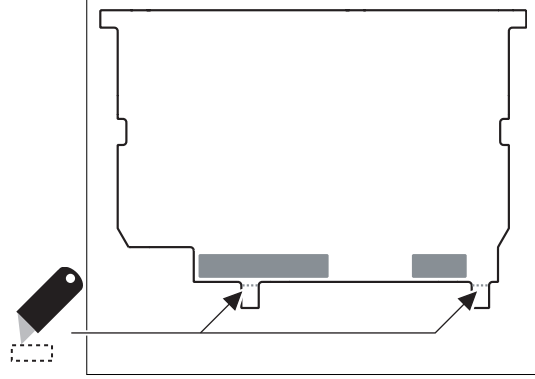
BeoVision 1	862x, 863x
BeoCenter 1	851x, 852x
BeoVision MX8000	910x
BeoVision 3 – 28	885x
BeoVision MX4200	915x
BeoVision 6 – 22	920x

Instruction for kit 14050

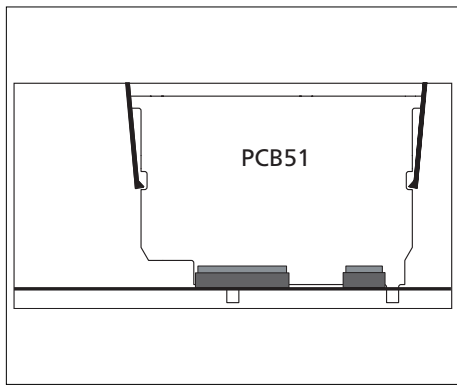
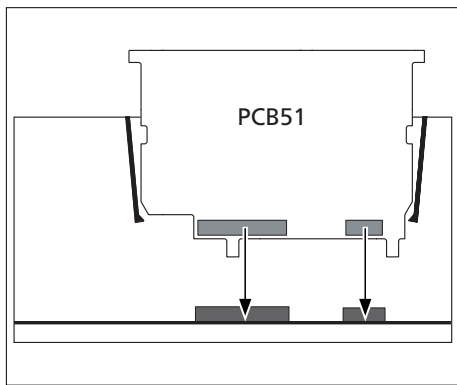
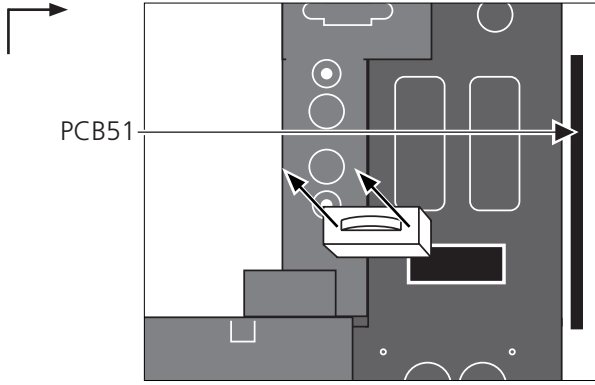
Disassemble BV1/BC1



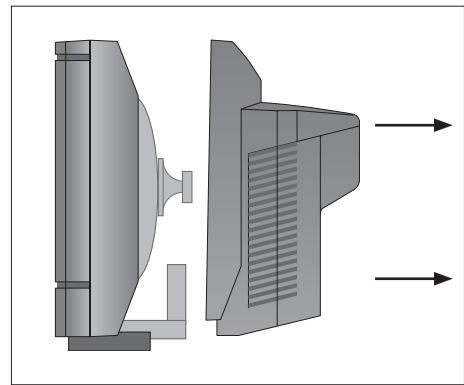
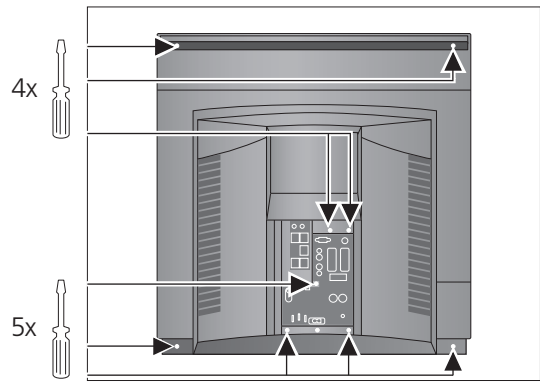
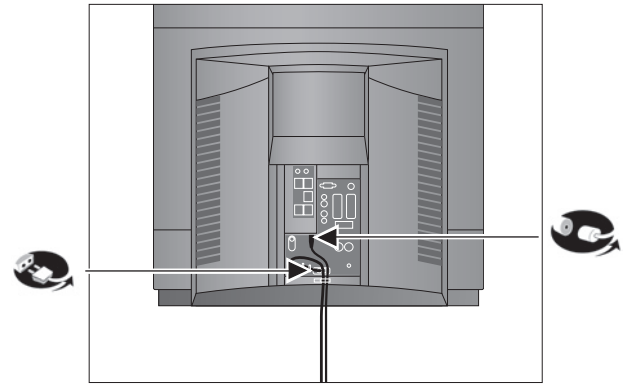
BV1/BC1, type 862x/851x ONLY



Mounting PCB51



Dissassemble BeoVision MX8000



Attention!

