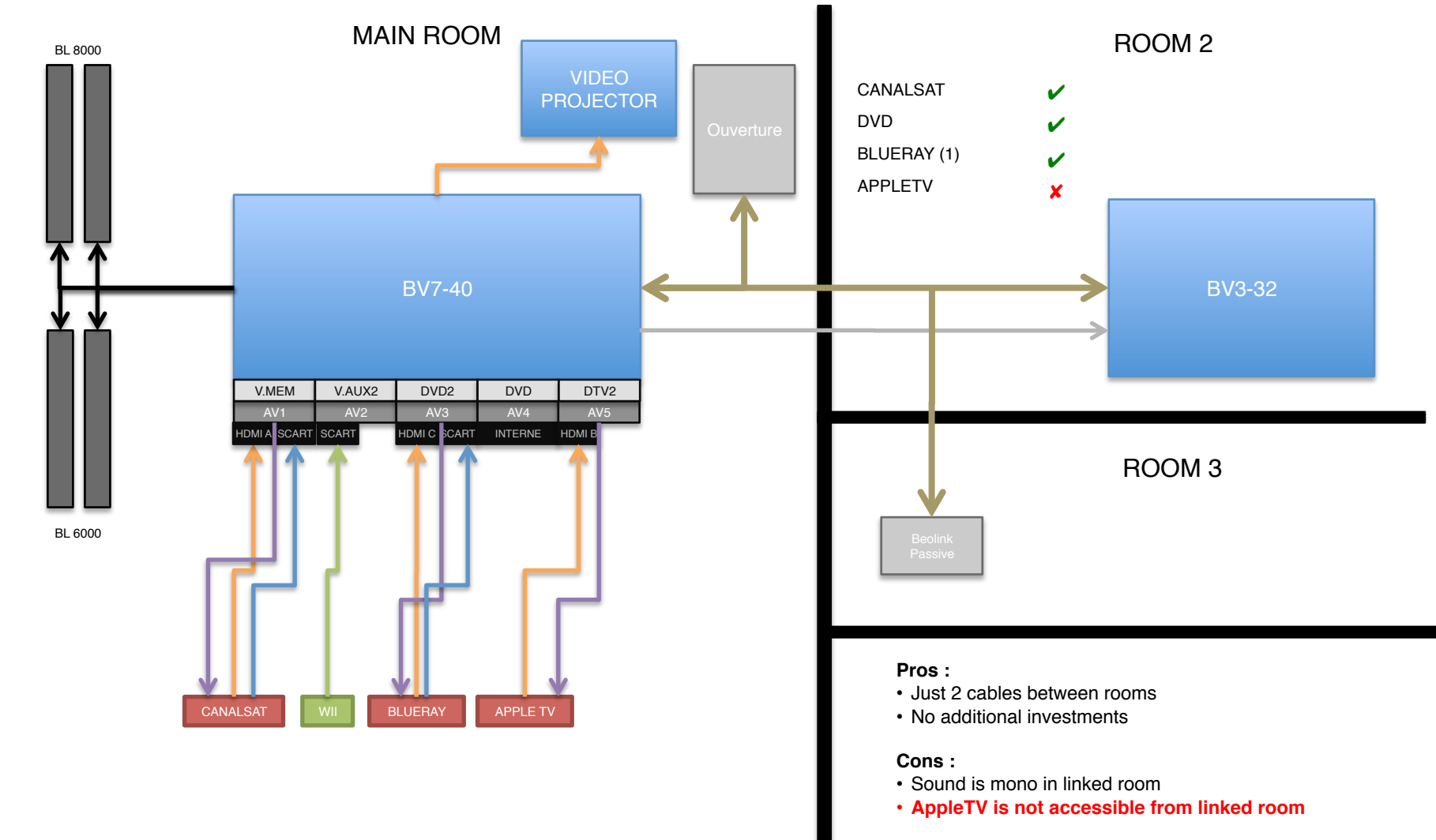
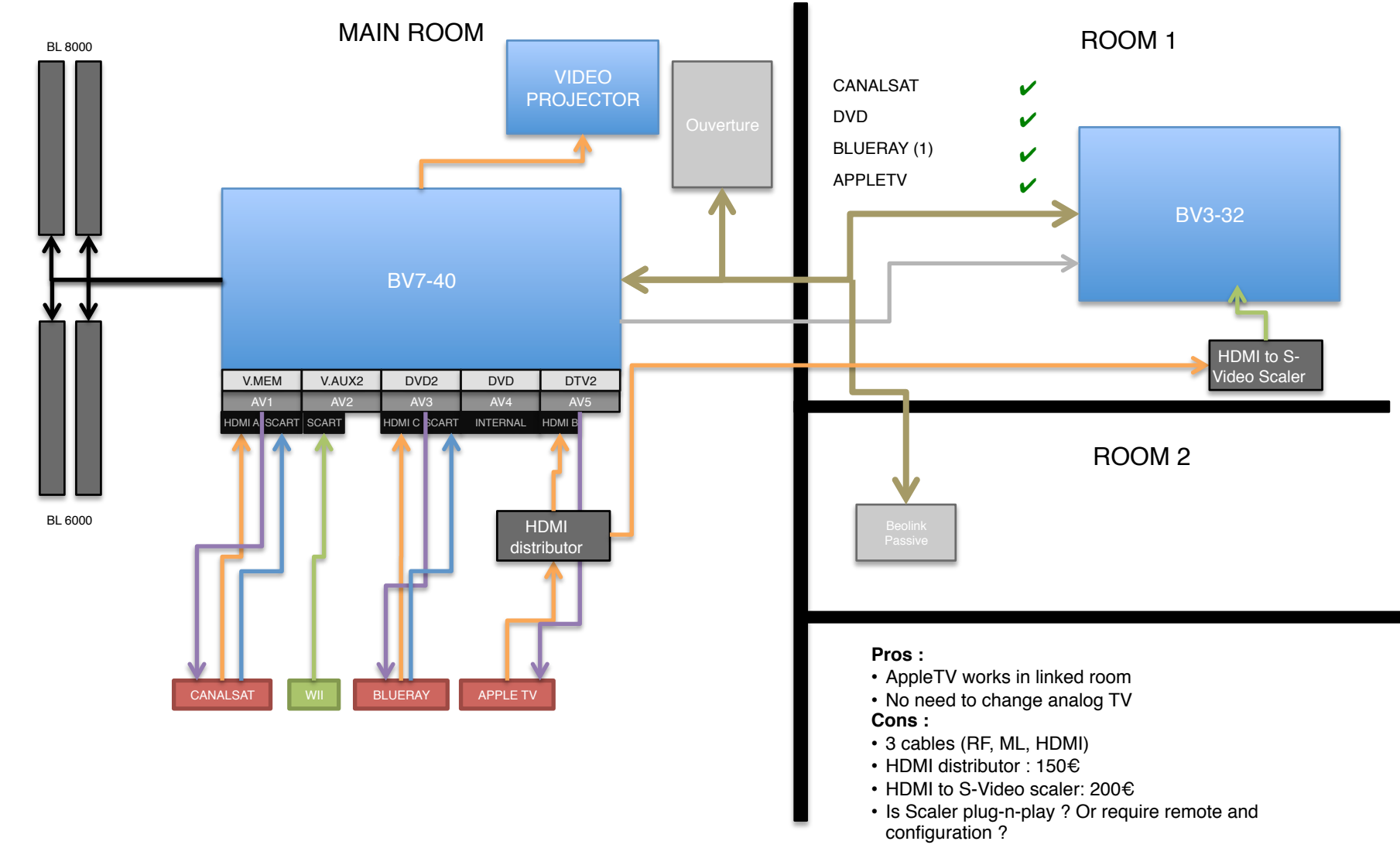


Current configuration



Option 1

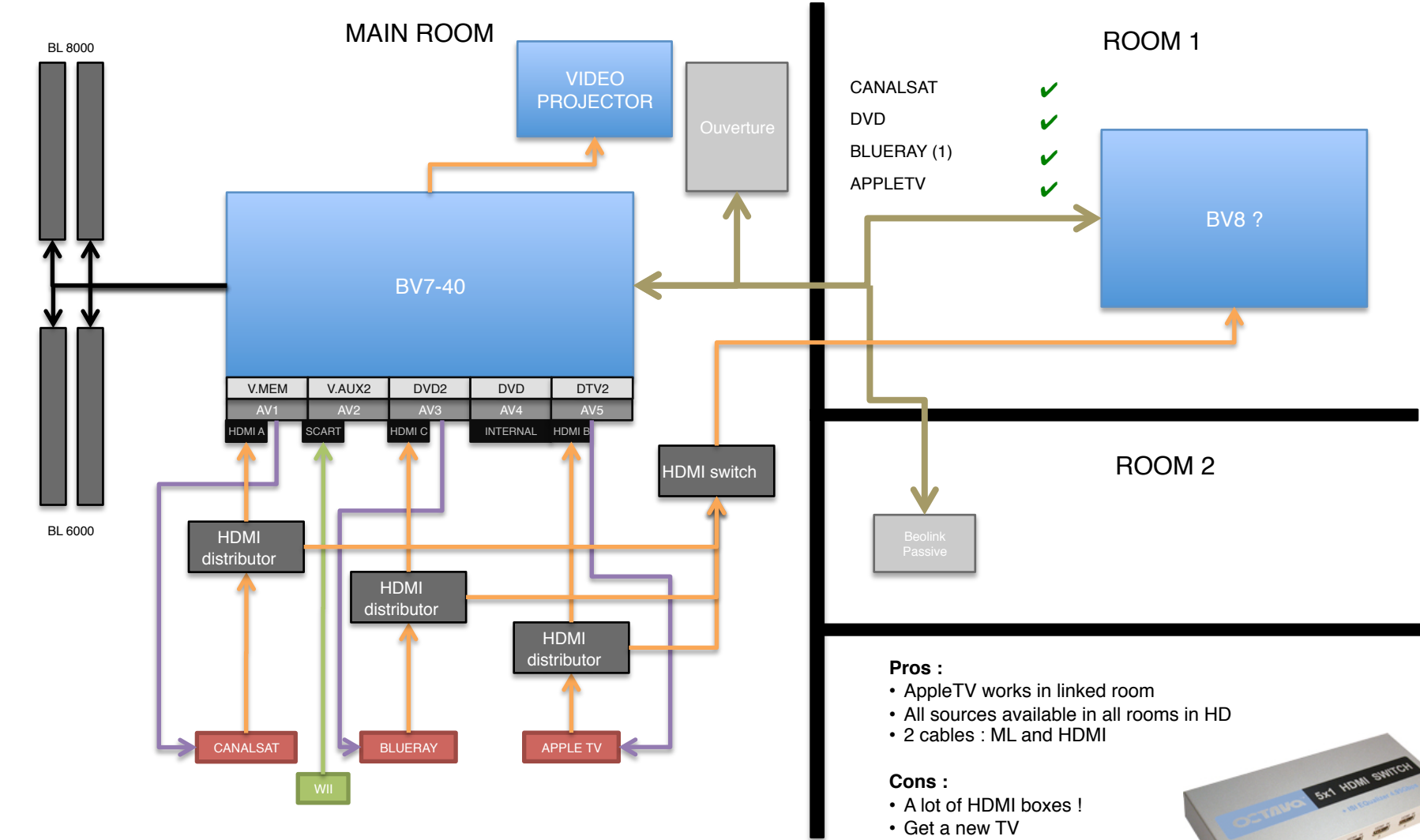


- Pros :**
- AppleTV works in linked room
 - No need to change analog TV
- Cons :**
- 3 cables (RF, ML, HDMI)
 - HDMI distributor : 150€
 - HDMI to S-Video scaler: 200€
 - Is Scaler plug-n-play ? Or require remote and configuration ?



(1) BLUERAY not yet implemented

Option 2



- Pros :**
- AppleTV works in linked room
 - All sources available in all rooms in HD
 - 2 cables : ML and HDMI

- Cons :**
- A lot of HDMI boxes !
 - Get a new TV



Switch with Smart Scan

